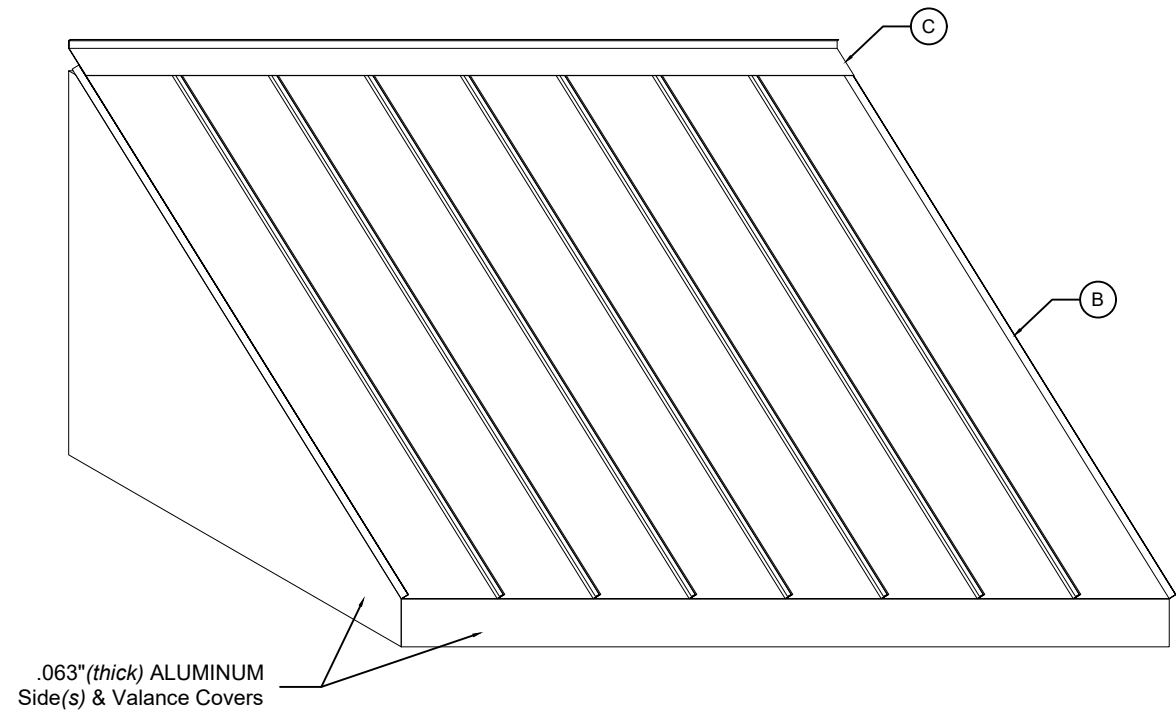
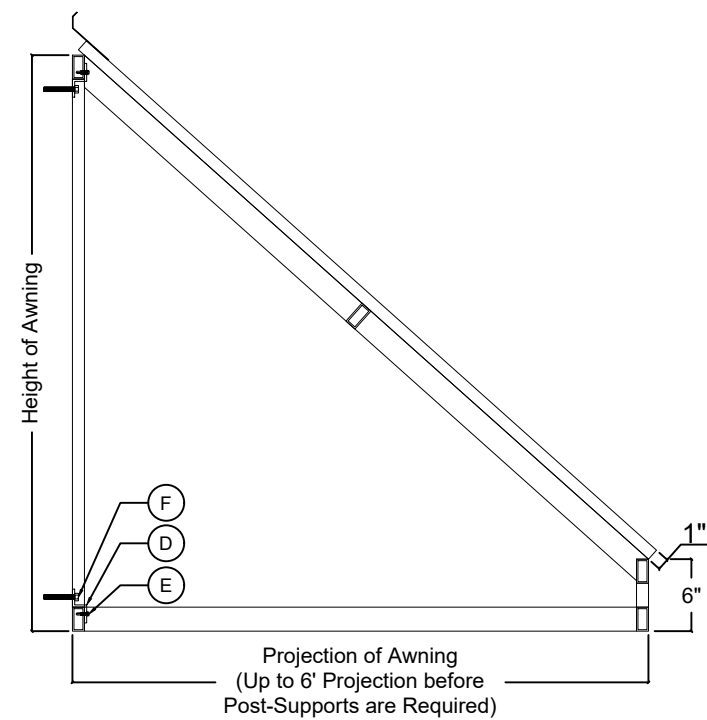


**1** DIMENSIONAL VIEW (FRAME DETAIL)  
SCALE: 1/2" = 1'-0"



**1** DIMENSIONAL VIEW  
SCALE: 1/2" = 1'-0"

**3** PROFILE  
SCALE: 3/4" = 1'-0"



AWNING FABRICATION DETAILS	
PART LABEL	DESCRIPTION
A	1" x 2" x 1/8" (wall) ALUMINUM TUBE FRAMING THROUGHOUT
B	1" (h) FABRICATED STANDING-SEAM   .063" (thick) ALUMINUM SHEET METAL
C	FABRICATED FLASHING   .063" (thick) ALUMINUM SHEET METAL
D	3/16" (thick) STEEL MOUNTING "Z-CLIPS"
E	5/16" SELF-TAPPING SCREWS (Through "Z-Clips" & Into Tube Framing)
F	3/8" LAG BOLTS (Through "Z-Clips" & Into Building Facade)

**STANDING-SEAM AWNING  
"Z-CLIPS" MOUNTING SYSTEM**

