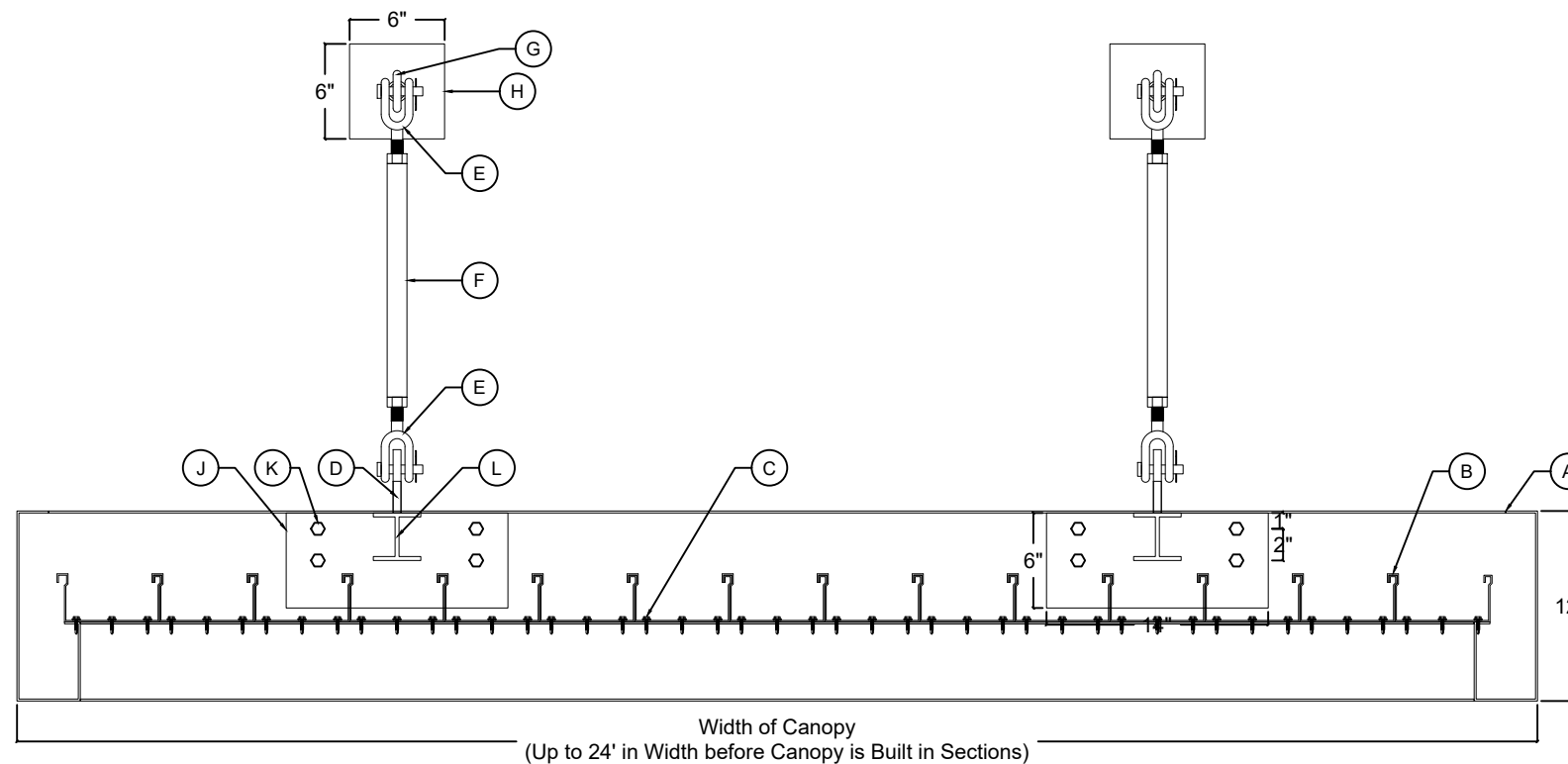
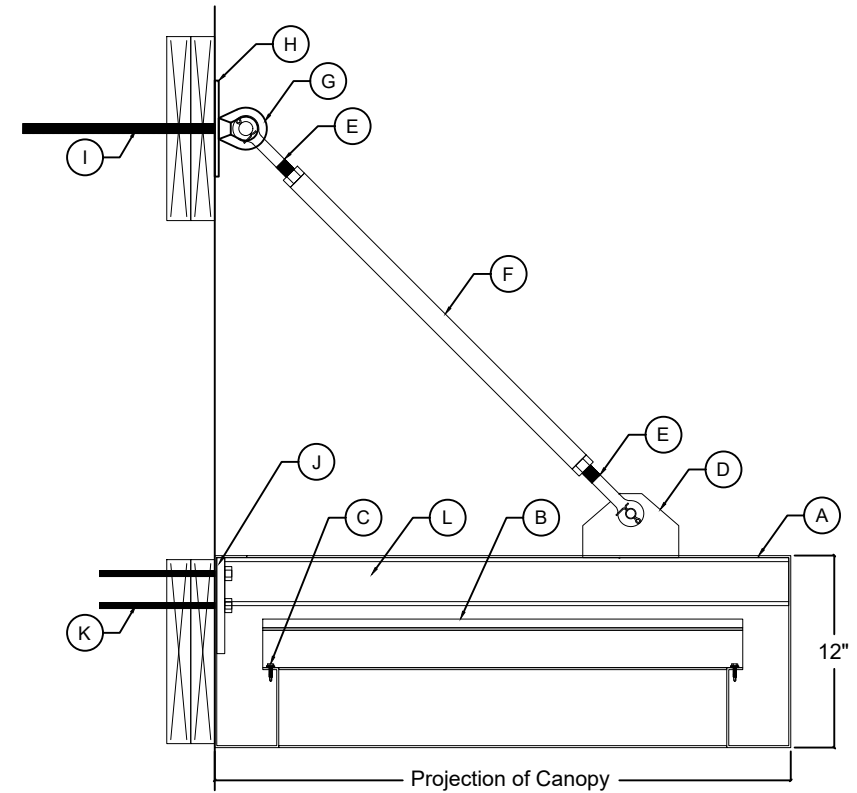


1 TOP VIEW
SCALE: 1" = 1'-0"



2 TRANSVERSE VIEW
SCALE: 1" = 1'-0"



3 PROFILE
SCALE: 1" = 1'-0"

CANOPY FABRICATION DETAILS

PART LABEL	DESCRIPTION
A	12"(h) x 4"(w) x 1/8"(thick) ALUMINUM FLAT-FACE GUTTER EXTRUSION
B	3"(h) x 6"(w) x 1/8"(thick) EXTRUDED ALUMINUM INDIVIDUAL SELF-MATING DECK-PANS / TOP-GUTTERS
C	#10 X 1" HEX-HEAD TEK-SCREWS WITH RUBBER WASHERS
D	4"(h) x 6"(w) x 1/2"(thick) ALUMINUM PLATE SUPPORT KNUCKLES
E	1/2"(thick) STEEL CLEVIS 1/2" LOCKING PIN PRE-WELDED 3/4"(thick) THREADED-ROD
F	1-1/4" SCH40 PIPE WITH PRE-WELDED NUTS
G	1/2"(thick) ALUMINUM "D-RING" EYENUT
H	6" x 6" x 1/4"(thick) ALUMINUM TOP "ESCUTCHEON" PLATES
I	5/8" THREADED-ROD
J	6"(h) x 14"(w) x 1/2"(thick) ALUMINUM BOTTOM MOUNTING PLATES (WELDED TO I-BEAM SUPPORTS)
K	3/8" LAG BOLTS
L	3" x 3" ALUMINUM I-BEAM SUPPORTS (WELDED TO MOUNTING PLATES & CANOPY FRAME)

STANDARD ARCHITECTURAL CANOPY | 12"(h) x 4"(w) GUTTER EXTRUSION
TURNBUCKLE-SUPPORTS MOUNTING SYSTEM

